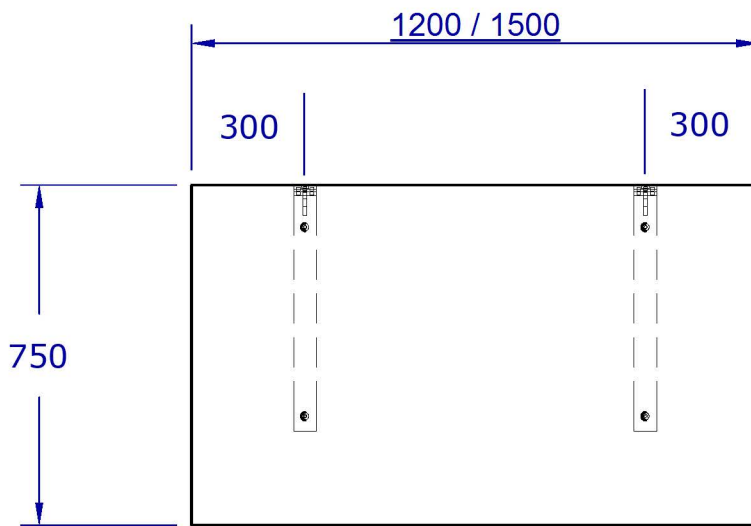
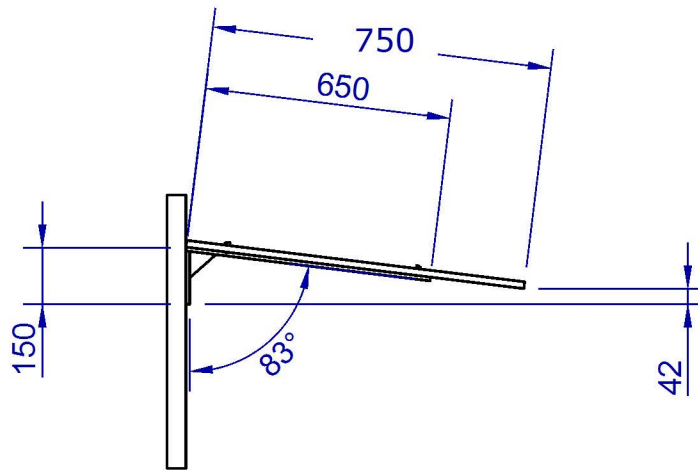


| | | | |
|--------|---------------|------|------|
| 1 | 2 | 3 | 4 |
| RevNr. | Revision note | Date | Sign |



| | | | | | | |
|----------|--|-------|-----------------------------|-------|---------|---------|
| E | | A4 | General Tolerances acc to : | | | |
| | | Scale | ISO 2768-1 medium | Drawn | Checked | Dat. |
| INOXA AB | | | | Title | | Sheet 1 |
| | | | | | | Rev. |
| | | | | | | Doc.Nr |