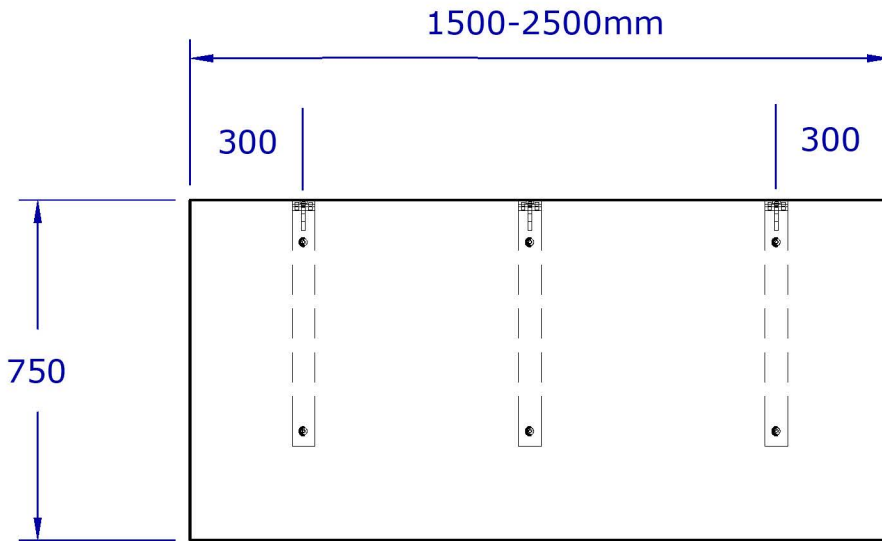
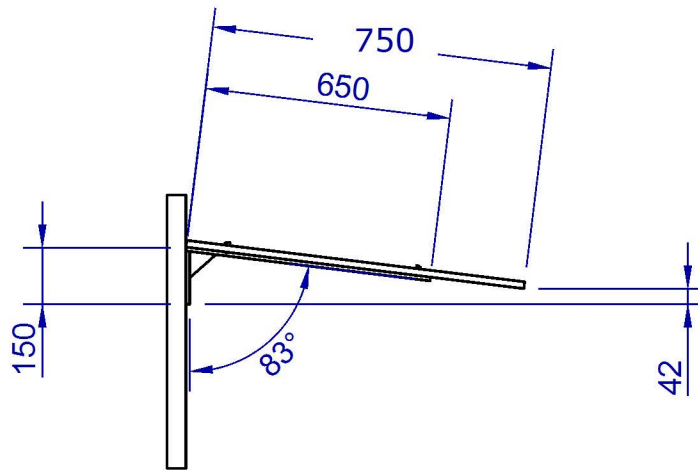


1	2	3	4
RevNr.	Revision note	Date	Sign



E		A4	General Tolerances acc to :			
		Scale	ISO 2768-1 medium	Drawn	Checked	Dat.
INOXA AB				Title		Sheet 1
						Rev.
						Doc.Nr